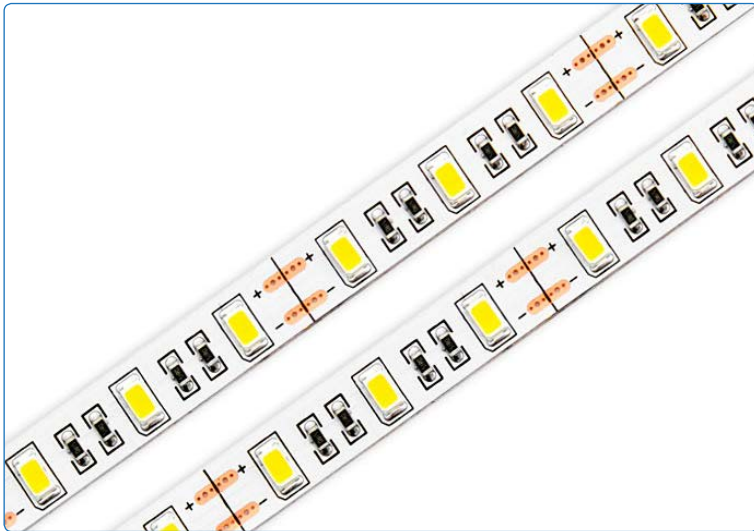
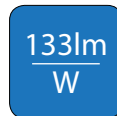
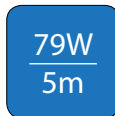


# LED STRIP NEONICA - 5630 - 300 - 24V



## FEATURES

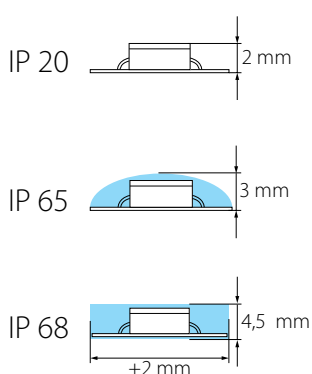
- Equal light output of each LED
- LED lifespan over 100 000 hours
- High colour rendering index CRI > 80
- Over 2000 lm / m, excellent ratio lm / W
- Double thick reinforced FPC background
- Each production batch is laboratory tested
- Double-sided adhesive tape (IP20 & IP65)
- Product environmentally friendly - meets RoHS
- Made and designed in Poland
- 3 year warranty



LED/m	Cutting unit	DC	W/m	CRI	Colour
60 qty	100 mm (6 LED)	24V	15,84W	>80	warm white
					daylight white
					cold white

Protection class	warm white	day-light white	cold white
IP 20	2700 - 3500 K	4000 - 5000 K	6000 - 7000 K
IP 65	3500 - 3900 K	4800 - 5500 K	6500 - 7500 K
IP 68			
<b>lm/m</b>	2100	2100	2100

### Protection class:



### Cutting unit:

