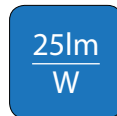
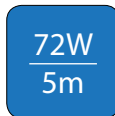


# LED STRIP NEONICA - RGB 5050 - 300 - 24V



## FEATURES

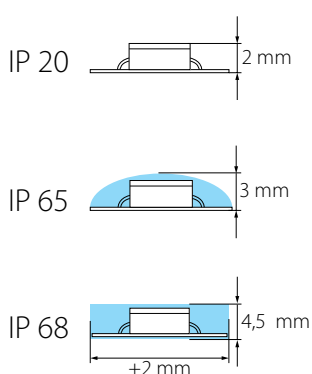
- Equal light output of each LED
- LED lifespan over 100 000 hours
- LED strip to decorative and accent applications
- Double thick reinforced FPC background
- Each production batch is laboratory tested
- Double-sided adhesive tape (IP20 & IP65)
- Product environmentally friendly - meets RoHS
- Made and designed in Poland
- 3 year warranty



LED/m	Cutting unit	DC	W/m	Colour
60 qty	100 mm (6 LED)	24V	14,4W	RGB <b>Mixed:</b> red, green, blue

Protection class	Colour
IP 20	RGB
IP 65	RGB
IP 68	RGB
<b>lm/m</b>	<b>300 - 360</b>

### Protection class:



### Cutting unit:

